

BUTLER

SPECIALTY COMPANY

Est. 1930

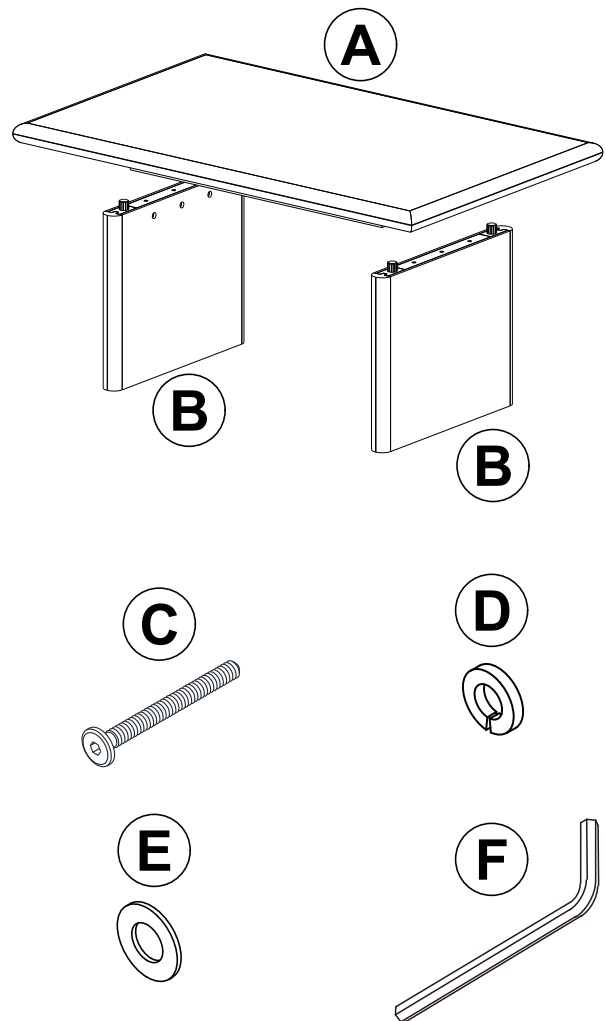
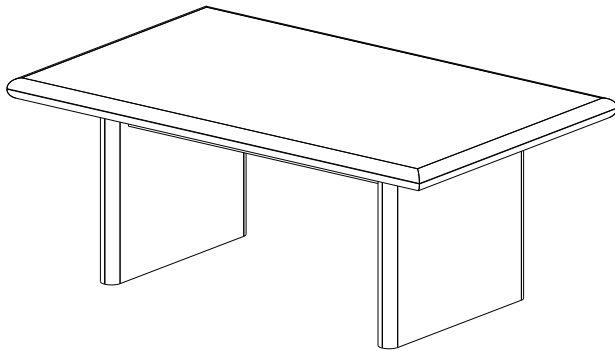
Assembly Instructions

6312488

6312497

6312498

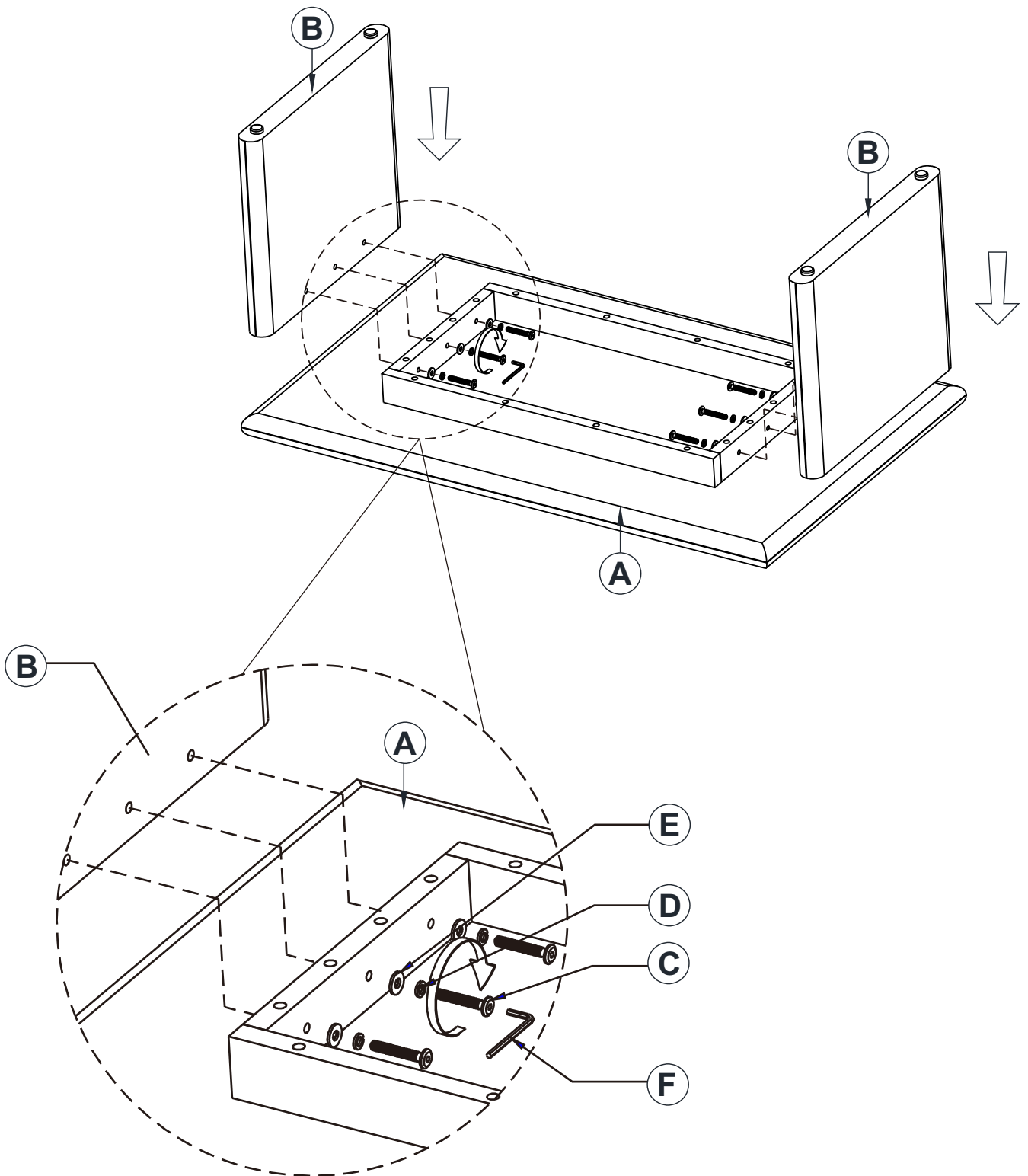
Coffee Table

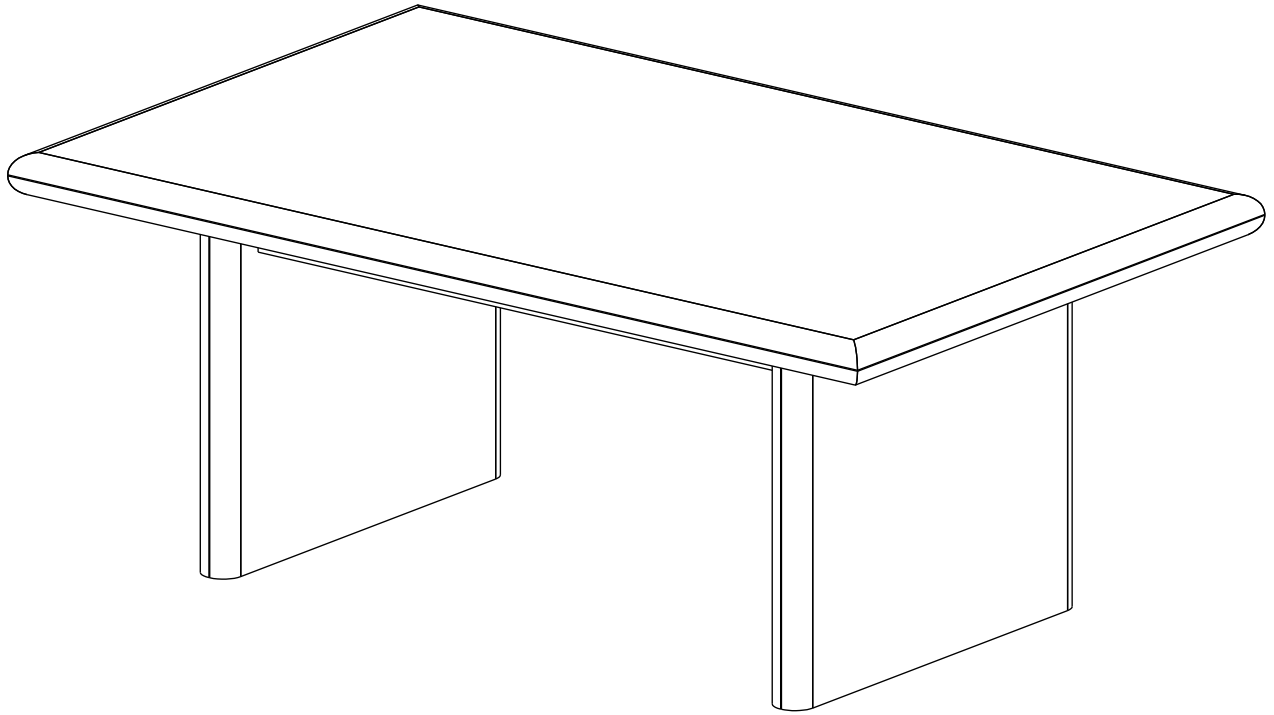


ITEM	DESCRIPTION	QUANTITY
A	Top Table	1 Pc
B	Leg	2 Pcs
C	JCBC M8 x 50 mm	6 Pcs
D	Lock Washer M8 x 13mm	4 Pcs
E	Flat Washer M8 x 16 mm	4 Pcs
F	Allen Key 5	1 Pc

STEP 1

Attach Legs (B) to Top Table (A) using Bolt M8 x 50 mm (C), Lock Washer M8 (D), Flat Washer M8 (E), Allen Key 5 (F) clockwise to tighten as shown below.





Congratulations

Assembly complete, Your Coffee Table is ready to use.

(*) Caution : DO NOT OVERTIGHTEN

In any correspondence regarding this product, please include the complete Butler identification number located on the underside of the product.

We hope this product will be a useful and decorative addition to your home for years to come.

Copyright© Butler Specialty Company, 09 / 25